

# S.S. White Technologies, Inc.

For Release: Immediately

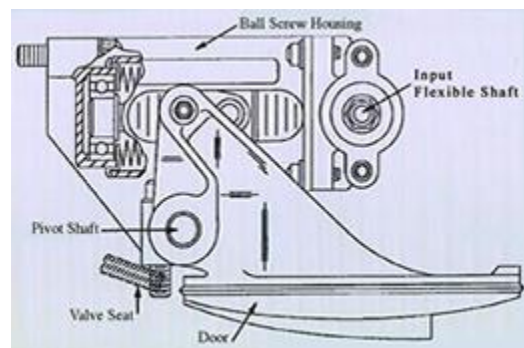
Contact: Brian Parlato  
V.P. Sales & Marketing  
S.S. White Technologies, Inc.  
Phone: 723-474-1710

## S.S. White Aerospace Flexible Rotary Shafts Support Boeing 737 Critical Operating Flight and Braking Systems

**Piscataway, New Jersey** --- S.S. White Technologies, the aerospace industry's leading performance-driven producer of aerospace flexible rotary shafts is supplying the Thrust Reverser Actuation System (TRAS) flexible activation shafts, variable bleed valve system shafts and rudder pedal control shaft on the Boeing single aisle 737 commercial aircraft.

S.S. White flexible rotary shafts provide power rotational torque to the Thrust Reverser Actuation System (TRAS) that open deflectors along the rear side of the aircraft's two engine nacelles. This action redirects the engine thrust forward working in parallel with the aircraft's braking system to slow the aircraft down after landing to insure a safe arrival. These same flexible rotary shafts also help lock the TRAS system to prevent it from inadvertently engaging during flight.

The variable bleed valve system consists of 11 flexible shafts and accompanying valves and actuators. The actuators operate like doors that open and close to adjust the bleed through the engine, essentially controlling airflow quantity to the HP compressor. The system also prevents low pressure compressor surges by bleeding compressor flow to the fan duct in response to a pressure signal from the fuel control.



(more)

In addition, all aerospace flexible shaft products are designed to one of the industry's highest performance criteria by utilizing a unique computer modeling program developed by S.S. White called PERFLEXION. This program allows the design engineers to fully model the behavioral characteristics of the wire bundles within the shaft core and arrive at an optimum product that provides maximum bending flexibility and torsional strength while allowing minimal torsional deflection with up to a 30 percent improvement above accepted industry standards.

S.S. White Technologies is a world leader in the design, engineering, manufacture and testing of a wide variety of flexible shaft products for the aerospace, medical, automotive and industrial markets around the globe. Almost all of the commercial and military aircraft platforms in the air today (except Russian) and more than one-half of US manufactured cars rely on S.S. White Technologies flexible shaft products. The company currently has manufacturing facilities in the United States, the United Kingdom and India.

###